



MIDLAND®

X-TRA TALK

GXT600/635/650/656 Series

GMRS/FRS Radio

OWNER'S MANUAL



www.midlandradio.com

TABLE OF CONTENTS	2
Introduction	3
Important Notice, FCC Licensing	4
LCD Display	5
Controls	5
Battery Installation	6
Installing the Belt Clip	6
Charging the Optional Battery Pack	7
Low Battery Level Indicator	7
Operating Your Radio	8 - 13
External Speaker/Microphone Jack	14
Troubleshooting Guide	15
Use and Care	15
Specifications and Frequency Charts	16 - 17
Warranty Information	18
MIDLAND Family Products	19
Accessories	19 - 21
Accessories Order Form	23

Welcome to the world of Midland electronics

Congratulations on your purchase of a high quality MIDLAND product. Your 2-way radio represents the state-of-the-art in high-tech engineering. Designed for GMRS (General Mobile Radio Service) operation, this compact package is big in performance. It is a quality piece of electronic equipment, skillfully constructed with the finest components. The circuitry is all solid-state and mounted on a rugged printed circuit board. Your two-way radio is designed for reliable and trouble-free performance for years to come.

Features

- 22 GMRS/FRS Channel
- 121 Privacy Codes (38 CTCSS / 83 DCS)
- VOX
- Selectable CALL Alert (additional Animal Sound on GXT650/656)
- NOAA Weather Radio
- VIBRATE ALERT
- SCAN Function
- MONITOR Function
- Roger Beep Tone
- Silent Operation
- Key Pad Lock
- Power Hi/Med/Lo Settings
- Speaker / Microphone Jacks
- Battery Meter / Battery Low Indicator

This device complies with Part 15 of the FCC Rules. Operation is subject to the following two conditions : (1) this device does not cause harmful interference, and (2) this radio must accept any interference that may cause undesired operation.

To maintain compliance with FCC's RF exposure guidelines, for body-worn operation, this radio has been tested and meets the FCC RF exposure guidelines when used with Midland Radio Corp. accessories supplied or designated for this product. Use of other accessories may not ensure compliance with FCC RF exposure guidelines. (Tested with Headset Model: AVP-1)

IMPORTANT NOTICE, FCC LICENSE REQUIRED FOR GMRS OPERATION

The GXT600/635/650/656 Series operates on GMRS (General Mobile Radio Service) frequencies which require an FCC (Federal Communications Commission) license. You must be licensed prior to operating on channels 1 - 7 or 15 - 22, which comprise the GMRS channels of the GXT600/635/650/656 Series. Serious penalties could result for unlicensed use of GMRS channels, in violation of FCC rules, as stipulated in the Communications Act's Sections 501 and 502 (amended).

You will be issued a call sign by the FCC which should be used for station identification when operating the radio on GMRS channels. You should also cooperate by engaging in permissible transmissions only, avoiding channel interference with other GMRS users, and being prudent with the length of their transmission time.

To obtain a license or ask questions about the license application, contact the FCC at 1-888-CALL FCC or go to the FCC's website:
www.fcc.gov/services/personal/generalmobile/licensing.html

Exposure To Radio Frequency Energy

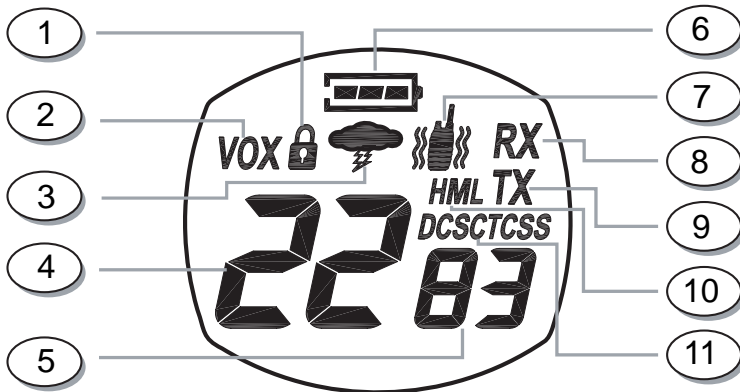
Your Midland radio is designed to comply with the following national and international standards and guidelines regarding exposure of human being to radio frequency electromagnetic energy:

- United States Federal Communications Commission, Code of Federal Regulations: 47 CFR part 2 sub-part J
- American National Standards Institute (ANSI)/Institute of Electrical & Electronic Engineers (IEEE) C95. 1-1992
- Institute of Electrical and Electronic Engineer (IEEE) C95. 1-1999 Edition
- National Council on Radiation Protection and Measurements (NCRP) of the United States, Report 86, 1986
- International Commission on Non-Ionizing Radiation Protection (ICNIRP) 1998

To control your exposure and ensure compliance with the general population or uncontrolled environment exposure limits, transmit no more than 50% of the time. The radio generates measurable RF energy exposure only when transmitting.

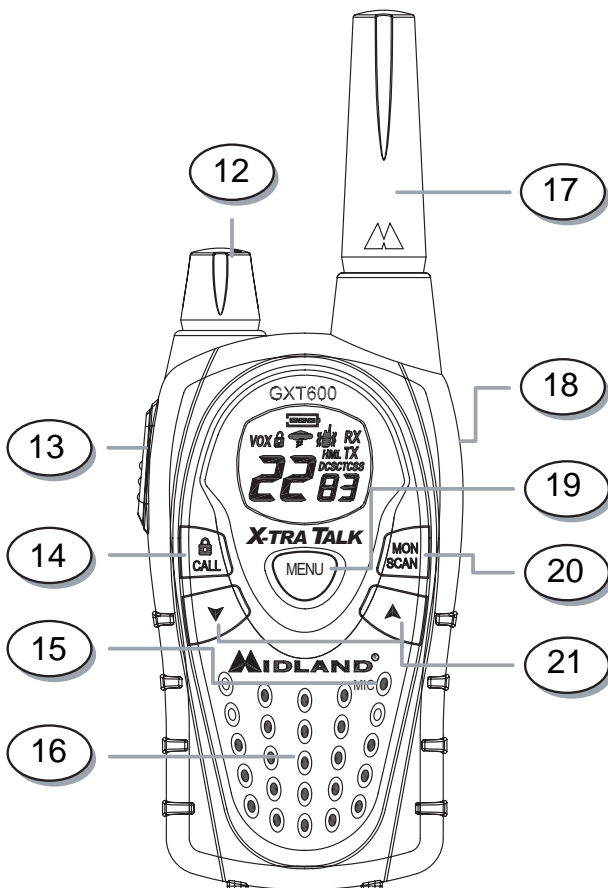
IMPORTANT: Changes or modifications to this unit not expressly approved by **MIDLAND RADIO CORP.** could void your right to operate this unit. Your radio is set up to transmit a regulated signal on an assigned frequency. It is against the law to alter or adjust the settings inside the COMMUNICATOR to exceed those limitations. Any adjustment to your radio must be made by qualified technicians.

LCD DISPLAY



1. **KEY LOCK ICON** – Indicates KEY LOCK mode is on.
2. **VOX ICON** – Indicates when VOX mode is active.
3. **NOAA WEATHER (WX) BAND ICON**– Indicates when the radio is in Weather Band mode.
4. **CHANNEL NUMBER** – Changes from 1~22 on GMRS/FRS band (1~10 on WX band).
5. **PRIVACY CODE** – Indicates Privacy Code selected by user (oF~38/oF~83).
6. **BATTERY METER** – Indicates the battery level.
7. **VIBRATE-ALERT ICON** – Indicates when the Vibrate-Alert feature is on.
8. **RECEIVE (RX) ICON** – Indicates radio is receiving a transmission.
9. **TRANSMIT (TX) ICON** – Indicates radio is transmitting a signal.
10. **TRANSMIT POWER LEVEL ICON** – Indicates TX Power setting (H/M/L)
11. **PRIVACY CODE ICON** – Indicates Privacy Code setting (CTCSS/DCS).

CONTROLS



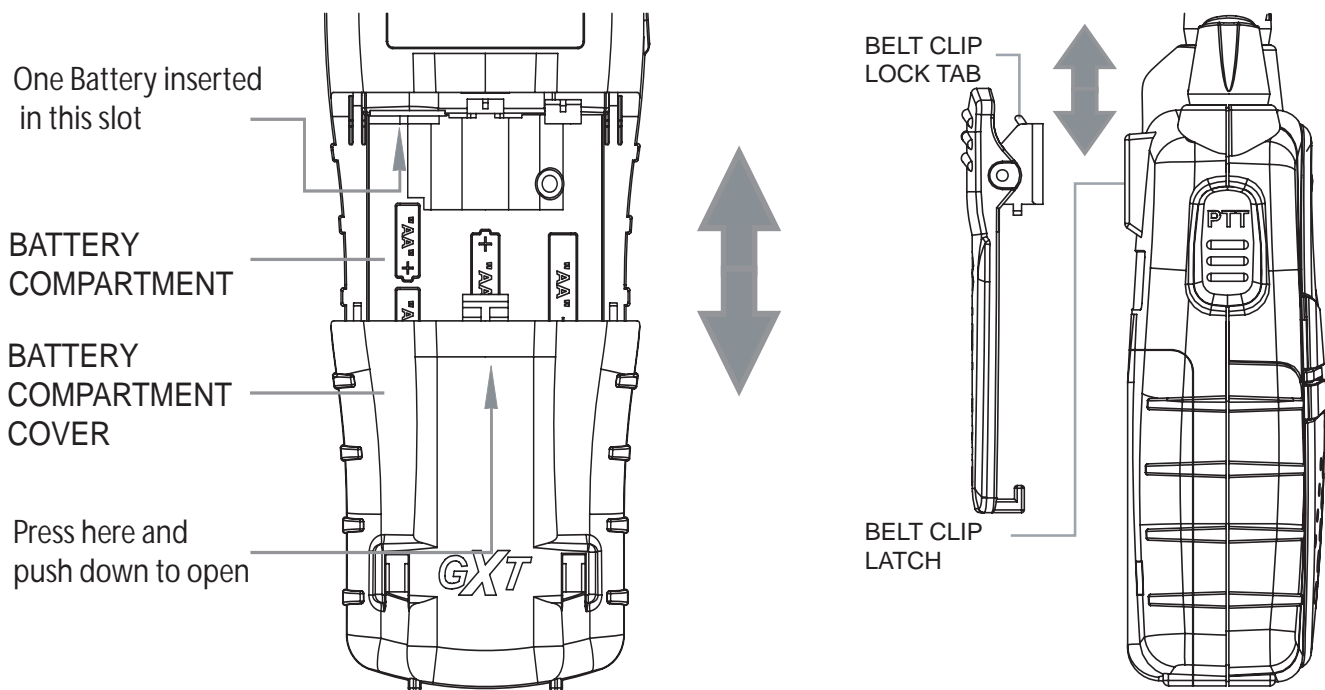
12. **POWER/VOLUME KNOB** – Turn clockwise to turn the power on and increase the volume level. Turn counter-clockwise to decrease the volume level and turn the power off.
13. **PTT Button** – Press and hold to transmit voice communication.
14. **CALL/LOCK Button** – Press to send a CALL Alert signal. Press and hold to turn KEY LOCK on/off.
15. **MIC** – Built-in microphone.
16. **SPEAKER** – Built-in speaker.
17. **ANTENNA.**
18. **EXTERNAL SPEAKER/MIC JACK.**
19. **MENU Button** – Press to access Menu mode. Press and hold to go to WX Band Receiver mode.
20. **MONITOR/SCAN Button** – Press to enter SCAN mode. Press and hold to enter MONITOR mode
21. **UP ▲ and DOWN ▼ Button** – Make adjustments in MENU mode.

BATTERY INSTALLATION

Your GXT600/635/650/656 Series radio operates with either 4 AA alkaline batteries or an optional NiMH battery pack. The belt clip should be removed (see below) to ease installation or removal of the batteries.

To install the batteries:

1. With the back of the radio facing you, remove the belt clip (see diagram below) for easy access, then remove the Battery Cover by pressing down on the top center and sliding it down from the radio.
2. Insert 4 AA batteries observing the polarity as shown. Installing the batteries incorrectly will prevent the unit from operating or may damage the unit.
3. Return the Battery Cover by sliding it up on the radio. Replace the belt clip, making sure it locks into place.



INSTALLING THE BELT CLIP

To install the **BELT CLIP**, slide the clip down into the slot on the back of the radio until the **BELT CLIP LATCH** clicks. To remove the **BELT CLIP**, press the **LOCK TAB** down, then gently pull the belt clip up toward the top of the radio.

CHARGING THE OPTIONAL BATTERY PACK

Your GXT600/635/650/656 Series is equipped for using an optional rechargeable NiMH battery pack (not included) which can be recharged using a desktop charger (not included). Initial charge time is 24 hours with a charge time of 12 hours thereafter. For maximum battery life, we recommend charging the battery pack when the low battery icon comes on. Remove the radios from the charger when the charge time expires.



To charge using a Desktop Charger:

1. Place the rechargeable battery packs in the radios.
2. Connect the AC adapter into an AC wall outlet.
3. Insert the AC adapter plug (or DC Cigarette Lighter adapter if charging in vehicle) into the desktop charger jack.
4. Place the units into the desktop charger slot and note that the LED indicator with **RED** color will light up, indicating charging function.

In order to ensure that the battery pack is fully charged, it is recommended that the battery pack be charged for at least 12 hours with the radio turned OFF.

- ! 1. Only use our NiMH battery pack.
- 2. Do not attempt to charge alkaline batteries or any batteries or battery packs other than the one indicated in the manual. This may cause leakage and damage to the radio.
- 3. For long term storage of the radio, turn the radio OFF and remove the batteries from the radio.

BATTERY LEVEL INDICATOR

Your GXT600/635/650/656 Series has a **BATTERY LEVEL METER**  that shows the battery power level. The greater the number of bars visible, the stronger the battery level. When the battery level is low, the **Battery Shell**  icon and “**Lo bt**” will flash in the display indicating your batteries should be replaced or recharged if using a rechargeable battery pack.

OPERATING YOUR RADIO

POWER ON/OFF AND VOLUME

Rotate the **POWER/VOLUME** knob clockwise to turn the radio on and increase the volume level. Rotate the control counter-clockwise to reduce the volume level and to turn the radio off. During Power On, the radio will beep 2 times with different tones, the LCD will display all icons for 1 second and the LCD display will indicate the last channel selected.

TRANSMITTING AND RECEIVING A CALL

To communicate, all radios in your group must be set to the same channel and Privacy Code.

1. For maximum clarity, hold the radio 2 to 3 inches from your mouth.
2. Press and hold the **PTT** button and speak in a normal voice into the **microphone**. The **TX** icon will appear continuously on the LCD Display while transmitting.
3. To receive a call, release the **PTT** button. The **RX** icon will appear on the display when your radio is receiving a transmission.

ABOUT RANGE

Your GXT Series radios are designed to give you maximum range under optimum conditions.

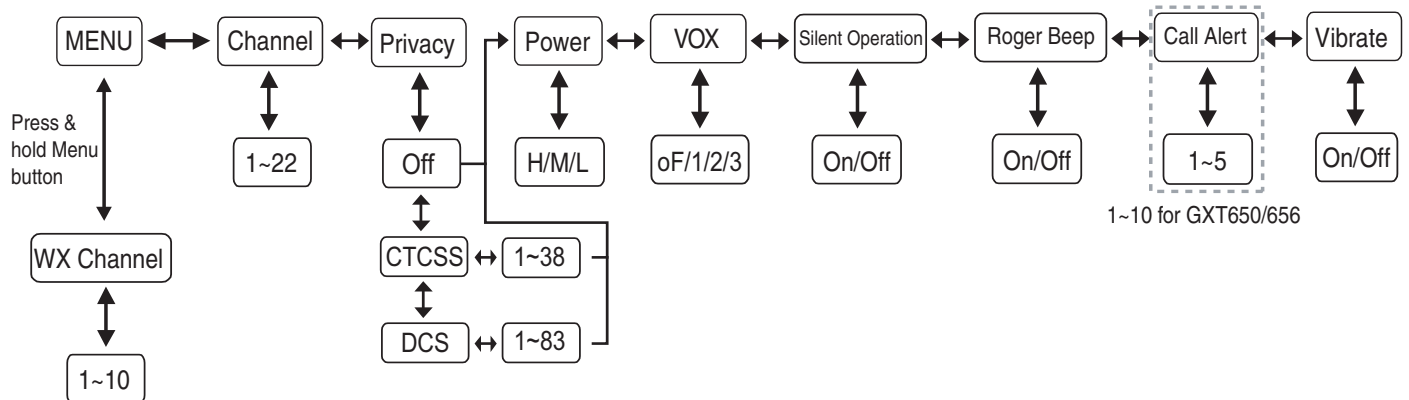
Optimum Conditions are:

- Over water
- Open rural areas without obstructions
- Flat areas where you can see the other person

To ensure you get maximum range:

- Be sure to use fresh or fully charged batteries - low batteries will cause low power conditions
- Be sure you are on a GMRS channel - FRS channels are restricted by the FCC to low power
- Be sure to set your radio to use Hi power.

GXT600/635/650/656 SERIES QUICK REFERENCE CHART



MONITOR

Pressing and holding the **MONITOR** button for 1 second will let you hear noise so you can adjust the volume level of the radio when not receiving a signal. This should be used to check activity on your current channel before transmitting.

Press and hold the **MONITOR** button for 1 second again to get out of **MONITOR** mode.

SCAN

Your GXT600/635/650/656 Series can scan all 22 channels for activity. To enter, quickly press the **SCAN** button. Repeat the same procedure to exit. Your radio will rapidly scan each of the 22 channels and stop on any active channel. Your radio will resume scanning after 4 seconds when the channel is no longer active.

When you press the **PTT** button to transmit on an active channel, the scanning function will stop and remain on the active channel for 10 seconds before resuming scan when **PTT** button is no longer pressed.

To resume scanning, quickly press the **▼/▲** button.

CALL ALERT

Your GXT600/635/650/656 Series can transmit a call alert for a fixed length of time. To send a call alert, press the **CALL** button. The **TX** icon will appear while transmitting a call alert and a tone can be heard on the speaker for confirmation.

The GXT600/635 has 5 call alert selections while the GXT650/656 has 10 call alerts including 5 **“animal sound”** call alerts - duck, goose, turkey, owl and elk.

KEYPAD LOCK

To avoid accidentally changing the radio setting, press the **LOCK** button for 2 seconds. The **KEY LOCK** icon will appear on the display. **PTT** and **CALL** will still be active. Repeat the same procedure to unlock the keypad.

DISPLAY ILLUMINATION

During Power on, the display illumination will activate for approx. 5 seconds. The display illumination can also be activated when the **MENU**, **MON/SCAN**, and ▼/▲ button is pressed.

CHANNEL SELECTION (GMRS/FRS BAND)

Press the **MENU** button once, and then the ▼/▲ buttons to select one of the 22 GMRS/FRS channels. To confirm the selection, press the **PTT** button or press the **MENU** button again to move to the next feature setting.

SETTING PRIVACY CODES


Your GXT600/635/650/656 Series has 121 **Privacy Codes** available. The selected **Privacy Code** may be different for each channel. To select a **Privacy Code** for the current channel press the **MENU** button twice, and then the ▼/▲ buttons to select between "**Off/CTCSS/DCS**". Press again the **MENU** button and the ▼/▲ button to select one of the 38 **CTCSS Codes** or one of the 83 **DCS Codes**. The **Privacy Code** icon on the display will indicate whether you set your Privacy Code in **CTCSS** or **DCS** mode. To confirm the selection, press the **PTT** button or press **MENU** button again to move to the next feature setting.

Note : If you select any **CTCSS** Privacy Code, any pre-selected **DCS** Privacy Code will be cancelled and vice-versa.

! Selecting a Privacy Code of "oF" will disable the Privacy feature. To communicate between two GXT600/635/650/656

- Series radios, all radios in your group must be set to the same channel and Privacy Code selections.

TRANSMIT (TX) POWER LEVEL SELECTION

Your GXT600/635/650/656 Series has 3 power level settings. To select the power level on channels 1~7 and 15~22, press the **MENU** button until a “*Pr*” icon will appear blinking on the display. Then press the **▼/▲** buttons to select **TRANSMIT POWER LEVEL** icon (**H**: Hi/**M**: Mid/**L**: Lo). To confirm, press the **PTT** button or press **MENU** button again to move to the next feature setting. **When the Battery Meter drops to 1 bar , the TX Power will automatically switch from Hi(H) or Med(M) to Lo(L) level.**



Note : *You cannot adjust the power setting on the FRS channels (8~14). They are set to Low power per FCC regulations.*

VOX (Hands-free Transmission)

Your radio has 3 VOX level settings: (**oF/1/2/3**).

To set **VOX**, press the **MENU** button until the display shows “**VOX**” blinking while on the right of the **CHANNEL NUMBER** display, an “**oF**” icon appears. Select “**1**”, “**2**”, or “**3**” by pressing the **▼/▲** buttons and push the **PTT** key, or press **MENU** button again to move to the next feature setting.

VOX will be more sensitive on the “**1**” setting than on the “**3**” setting.

To turn **VOX** off, press the **MENU** button until the display shows “**VOX**” blinking while on the right of the **CHANNEL NUMBER** display, a “**1**”, “**2**” or “**3**” icon appears. Select “**oF**” by pressing the **▼/▲** buttons and push the **PTT** key, or press **MENU** button again to move to the next feature setting.

SILENT OPERATION

Your GXT600/635/650/656 Series has a **SILENT OPERATION** mode. In this mode, all “beeps” and “tones” are disabled.

To turn the **SILENT OPERATION** mode on, press the **MENU** button until the display shows an “**bP**” icon while on the right of the “**bP**” display, an “**on**” icon appears. Select “**of**” by pressing the **▼/▲** buttons and push the **PTT** key or **MENU** button.

To turn the **SILENT OPERATION** mode off, press the **MENU** button until the display shows an “**bP**” icon while on the right of the “**bP**” display, an “**oF**” icon appears. Select “**on**” by pressing the **▼/▲** buttons and push the **PTT** key or **MENU** button.

ROGER BEEP (end of transmission) TONE

When the **PTT** button is released, the radio will beep to confirm to other users that your transmission has finished.

To turn the **ROGER BEEP** tone on, press the **MENU** button until the display shows an “**rb**” icon while on the right of the “**rb**” display, an “**oF**” icon appears. Select “**on**” by pressing the ▼/▲ buttons and push the **PTT** key, or press **MENU** button to move to the next feature setting.

To turn the **ROGER BEEP** tone off, press the **MENU** button until the display shows an “**rb**” icon while on the right of the “**rb**” display, an “**on**” icon appears. Select “**oF**” by pressing the ▼/▲ buttons and push the **PTT** key, or press **MENU** button to move to the next feature setting.

CALL ALERT SELECTION

Your GXT600/635 Series has 5 selectable **CALL ALERTS** (10 for **GXT650/656**). To select, press the **MENU** button until a “**CA**” icon appears and to the right of the “**CA**” icon the current **CALL ALERT** setting is displayed. Then press the ▼/▲ buttons to make the **CALL ALERT** selections, the radio will emit a corresponding tone for each selection. To confirm, press the **PTT** button or press **MENU** button to move to the next feature setting.

Note : GXT650/656 has 5 additional “Animal Sound” CALL Alerts - duck, goose, turkey, owl, and elk.

VIBRATE ALERT

To turn the **VIBRATE ALERT** on, press the **MENU** button until the display will show the **VIBRATE-ALERT** icon blinking, while on the right of the **CHANNEL NUMBER**, an “**oF**” icon appears. Select “**on**” by pressing the ▼/▲ buttons and push the **PTT** button, or press **MENU** button. The **VIBRATE ALERT** icon will remain on the display.

To turn the **VIBRATE ALERT** off, press the **MENU** button until the display will show the **VIBRATE ALERT** icon blinking, while on the right of the **CHANNEL NUMBER**, an “**on**” icon appears. Select “**oF**” by pressing the ▼/▲ buttons and push the **PTT** button, or press **MENU** button. The **VIBRATE ALERT** icon will go off.

NOAA WEATHER RADIO

Your GXT600/635/650/656 Series has a **NOAA WEATHER RADIO** function, to enable user to receive weather reports from designated **NOAA** stations.

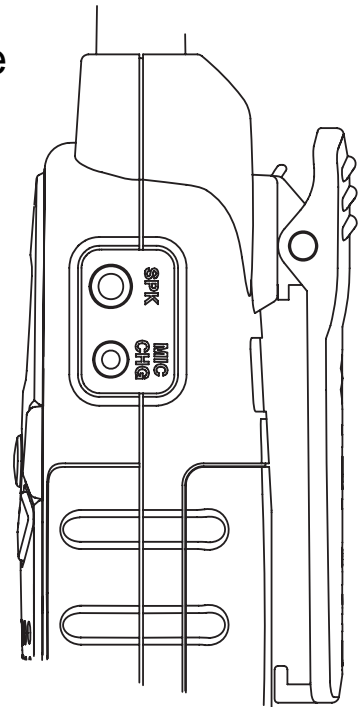
To turn the **NOAA WEATHER (WX) RADIO** on, press and hold the **MENU** button for 3 seconds. The current **WX CHANNEL** and **WX BAND** icon will appear on the display. Press the **MENU** button and the ▼/▲ buttons to select one of the 10 **WX BAND** channels. To confirm, press the **PTT** button or **MENU** button.

To turn the **NOAA WEATHER RADIO** off, press and hold the **MENU** button for 3 seconds or press the **PTT** button. The current **GMRS/FRS** radio setting will be displayed and the **WX BAND** icon will go off.

EXTERNAL SPEAKER/MICROPHONE JACK

Your GXT600/635/650/656 Series can be used with an optional external speaker/microphone or headset, freeing your hands for other tasks. To use an optional speaker / microphone or headset:

- Insert the plug(s) into the **SPK/MIC** jacks
- Place the earbud into your ear, and adjust the mic into your desired position.



TROUBLESHOOTING GUIDE

PROBLEM

SOLUTION

No Power	- Check battery installation and/or replace batteries
Cannot Receive Messages	- Confirm the radios have the same channel and Privacy Code settings. - Make sure that you are within range of the other transceivers. - Buildings and other structures may interfere with your communication. (See ABOUT RANGE on Page 8)
Radio is not responding to button presses	- Make sure key lock is not on. See "Keypad Lock" (Page 10). - Radio might need to be reset. Turn radio off then on. - Ensure accessory microphone is set properly
Display is dim	- Recharge or replace batteries.
Charger not functioning	- Contacts on the back of the radio may require cleaning. - Ensure the outlet where the charger is plugged into is functioning properly. - Check that the battery pack is installed in the radio properly.

USE AND CARE

1. Use a soft damp cloth to clean the radio
2. **Do not** use alcohol or cleaning solutions to clean the radio.
3. **Do not** immerse the radio in water.
4. Dry the radio with dry lint-free cloth should it get wet.
5. Turn off the radio and remove the batteries during long-term storage.

If you have a problem which you believe requires service, please call first and speak with a service technician. Many problems can be remedied over the phone without returning the unit for service.

SPECIFICATIONS

Channels 22 GMRS/FRS Channels +121 Privacy Codes
10 NOAA Weather (WX) Band Channels

Operating Frequency UHF 462.5500 ~ 467.7125 MHz

Power Source 4 AA Alkaline or 6.0V Rechargeable Ni-MH battery pack

GMRS/FRS FREQUENCY CHART (MHz)

CH. No	CH. Freq.	CH. No	CH. Freq.	CH. No	CH. Freq.
1	462.5625	9	467.5875	17	462.6000
2	462.5875	10	467.6125	18	462.6250
3	462.6125	11	467.6375	19	462.6500
4	462.6375	12	467.6625	20	462.6750
5	462.6625	13	467.6875	21	462.7000
6	462.6875	14	467.7125	22	462.7250
7	462.7125	15	462.5500		
8	467.5625	16	462.5750		

* Channels 8~14 are low-power FRS license free channels

NOAA WEATHER (WX) RADIO FREQUENCY CHART (MHz)

CH. No	CH. Freq.	CH. No	CH. Freq.
1	162.550	6	162.500
2	162.400	7	162.525
3	162.475	8	161.650
4	162.425	9	161.775
5	162.450	10	163.275

* Channel 8,9 and 10 are designated Canadian Marine Frequencies

CTCSS PRIVACY CODES FREQUENCY CHART (Hz)

Code	Freq.	Code	Freq.	Code	Freq.	Code	Freq.	Code	Freq.
1	67.0	9	91.5	17	118.8	25	156.7	33	210.7
2	71.9	10	94.8	18	123.0	26	162.2	34	218.1
3	74.4	11	97.4	19	127.3	27	167.9	35	225.7
4	77.0	12	100.0	20	131.8	28	173.8	36	233.6
5	79.7	13	103.5	21	136.5	29	179.9	37	241.8
6	82.5	14	107.2	22	141.3	30	186.2	38	250.3
7	85.4	15	110.9	23	146.2	31	192.8		
8	88.5	16	114.8	24	151.4	32	203.5		

Note: Privacy codes can be programmed for use on any channel

DCS PRIVACY CODE CHART

No.	CODE	No.	CODE	No.	CODE
1	023	29	174	57	445
2	025	30	205	58	464
3	026	31	223	59	465
4	031	32	226	60	466
5	032	33	243	61	503
6	043	34	244	62	506
7	047	35	245	63	516
8	051	36	251	64	532
9	054	37	261	65	546
10	065	38	263	66	565
11	071	39	265	67	606
12	072	40	271	68	612
13	073	41	306	69	624
14	074	42	311	70	627
15	114	43	315	71	631
16	115	44	331	72	632
17	116	45	343	73	654
18	125	46	346	74	662
19	131	47	351	75	664
20	132	48	364	76	703
21	134	49	365	77	712
22	143	50	371	78	723
23	152	51	411	79	731
24	155	52	412	80	732
25	156	53	413	81	734
26	162	54	423	82	743
27	165	55	431	83	754
28	172	56	432	-	-

Note: Privacy codes can be programmed for use on any channel

LIMITED WARRANTY

Midland Radio Corporation will repair or replace, at its option without charge, any Midland FRS/GMRS transceiver which fails due to a defect in material or workmanship within Three Years following the initial consumer purchase. This warranty does not apply to water damage, battery leak or abuse.

Accessories have a 90 day warranty from date of purchase, including any antennas, chargers, or earphones. This warranty does not include the cost of labor for removal or re-installation of the product in a vehicle or other mounting. Performance of any obligation under this warranty may be obtained by returning the warranted product, prepaid freight, along with proof of purchase to:

**Midland Radio Corporation
Warranty Service Department
5900 Parretta Drive
Kansas City, MO 64120**

This warranty gives you specific legal rights, and you may also have other rights, which vary from state to state.

Note : The above warranty applies only to merchandise purchased in the United States of America or any of the territories or possessions thereof, or from a U.S. Military exchange.

**Midland Radio Corporation
5900 Parretta Drive
Kansas City, MO 64120
Tel: (816) 241-8500
E-mail: mail@midlandradio.com
URL: www.midlandradio.com**



CB RADIOS



WEATHER RADIOS



MARINE RADIOS

ACCESSORIES

Accessories can be purchased at www.midlandradio.com or fill in the form on the following page and mail it to our address.

AVP-4



- 1 Dual Desk Charger
- 2 Rechargeable battery packs
- 1 AC Adapter
- 1 DC Cigarette lighter adapter

- **\$39.99**

AVP-1



- 2 Over the Ear Mic. Headsets w/ PTT

- **\$19.99**

AVP-H1



- 1 Open Face Helmet Microphone Kit

- **\$49.99**

AVP-H2



- 1 Closed Face Helmet Microphone Kit

- **\$49.99**

AVP-H3



- 2 Surveillance Headset

- **\$39.99**

AVP-H4



- 2 Ear Wrap Headset

- **\$39.99**

AVP-H5



- 2 Behind the Head Headset

- **\$39.99**





ACCESSORIES ORDER FORM

Please send Money Order or fill in Visa/MasterCard information and mail to the address below. Please **DO NOT** send cash or checks. Make Money Order to Midland Radio Corporation.

Name: _____

Address: _____

City: _____ **State** _____ **Zip Code** _____

Tel: _____ **email:** _____

CC# _____ **Type:** _____ **Exp.** _____

Qty	Item	Price	Total
	AVP-1	\$19.99	
	AVP-4	\$39.99	
	AVP-H1	\$49.99	
	AVP-H2	\$49.99	
	AVP-H3	\$39.99	
	AVP-H4	\$39.99	
	AVP-H5	\$39.99	

Mail To:
 Midland Radio Corporation
 Consumer Dept.
 5900 Parretta Drive
 Kansas City, MO 64120

 Or Call 816.241.8500.

 To order online go to
www.midlandradio.com

Sub-Total _____
 Tax (MO, CO, IL, FL only) _____
 S & H (U.S. only) _____ \$14.95
 Total \$ _____

MIDLAND RADIO CORPORATION

**5900 Parretta Drive
Kansas City, MO 64120
Call 816.241.8500**

visit us at <http://www.midlandradio.com>

Note: Features & Specifications are subject to change without notice. MIDLAND is not responsible for unintentional errors or omissions on its packaging.



MIDLAND®
X-TRA TALK

MODELOS GXT600/635/650
RADIOS GMRS / FRS
MANUAL DE USUARIO



www.midlandradio.com

CONTENIDO	2
Introducción	2
Noticia Importante, Licencia FCC	3
Controles	4
Instalación de la Batería	4
Instalando el Sujetador para el Cinturón	4
Pantalla	5
Cargando el Paquete de Batería Opcional	6
Indicador del Nivel de la Batería	6
Operando el Radio	7 - 11
Conector para Micrófono y Bocina Externos	11
Solución de Problemas	11
Uso y Cuidado	12
Tabla de Frecuencias y Especificaciones	13
Información de la Garantía	14
Familia de Productos MIDLAND	14
Accesorios	15
Obtención de Accesorios	16

Bienvenido al mundo de electrónicos MIDLAND

Felicidades por la compra de un producto de alta calidad MIDLAND. El radio de dos vías representa una obra de arte para la ingeniería de alta tecnología. Diseñado para operar en GMRS (General Mobile Radio Service), este paquete compacto es fuerte en su desempeño. Es una pieza de calidad electrónica, construido con los mejores componentes. El circuito es de estado sólido y montado en una tarjeta de circuito impresa robusta. Su radio de dos vías esta diseñado para un desempeño rentable y libre de problemas para los años venideros.

Características

- 22 canales GMRS/FRS
- 121 códigos privados (38 CTCSS / 83 DCS)
- VOX
- Selección del tono de llamada (Sonido de animal adicional en el modelo GXT650)
- Banda de recepción del tiempo NOAA

- Alerta vibratoria
- Escaneo de canal
- Función de monitoreo
- Tono del fin de la transmisión (ROGER BEEP)
- Silenciamiento
- Bloqueo del teclado
- Niveles de potencia alto, medio y bajo
- Conector para bocina y audífonos
- Indicador del nivel de las baterías

Este dispositivo cumple con las pautas de la FCC Parte 15 (EE.UU.). Su operación esta sujeta a las siguientes condiciones: (1) este dispositivo no causa interferencias perjudiciales, y (2) este radio debe aceptar cualquier interferencia que cause una mala operación.

Para cumplir con las pautas de exposición de la FCC, para uso del sobre el cuerpo, este radio tiene que ser probado y satisfacer las pautas de exposición de la FCC RF cuando es usado con accesorios de Midland Radio Corp. Proporcionados o diseñados para este producto. El uso de otros accesorios, no aseguran el cumplimiento de las pautas de exposición de la FCC RF (probados con el modelo: AVP-1)

NOTICIA IMPORTANTE, LICENCIA FCC REQUERIDA PARA OPERAR EN LA BANDA GMRS

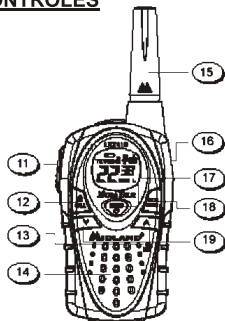
Los radios GXT600/635/650 operan en la banda de frecuencias GMRS que requiere una licencia de FCC (Federal Communications Commission, EE.UU.). Tiene que estar aprobado antes de operar en los canales 1 – 7 o 15 – 22, que comprenden los canales GMRS de los modelos GXT600/635/650. Severas sanciones pueden resultar del uso sin permiso de los canales GMRS, violando las normas de la FCC (EE.UU.), como esta estipulado en el Acta de Comunicaciones, secciones 501 y 502.

Para obtener un permiso o preguntas acerca de la aplicación del permiso, contactar a la FCC al 1-888-CALL FCC o visitar la página electrónica:
www.fcc.gov/services/personal/generalmobile/licensing.html

Exposición a la Energía de Radiofrecuencia

Su radio Midland esta diseñado para cumplir con las siguientes normas nacionales e internacionales y pautas referentes a la exposición de seres humanos a energía Electromagnética de radiofrecuencia:

CONTROLES



12. PERILLA DE ENCENDIDO / VOLUMEN- Girar la perilla en el sentido de las manecillas del reloj para encender o incrementar el volumen. Gire al contrario de las manecillas del reloj para disminuir el volumen o para apagar el radio.

13. BOTÓN PTT- Presionar y mantener el botón para transmitir una comunicación de voz. **INDICADOR DE BLOQUEO DE TECLADO-** Indica que el modo KEY LOCK está activado.

14. BOTÓN DE LLAMADA / BLOQUEO- Presionar para enviar un tono de llamada. Presionar y mantenerlo para activar/desactivar KEY LOCK.

15. MIC- Micrófono integrado.

16. BOCINA- Bocina integrada.

17. ANTENA.

18. CONECTOR PARA BOCINA Y AUDÍFONOS.

19. BOTÓN MENÚ- Presione para acceder al modo menú. Presionar y mantenerlo para ir a la banda WX en el modo de recepción.

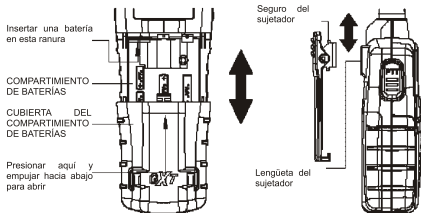
20. BOTÓN DE MONITOR / SCAN- Presionar para entrar al modo SCAN. Presionar y mantenerlo para entrar al modo MONITOR.

21. BOTÓN ARRIBA ▲ Y ABAJO ▼ - Hace ajustes en el modo MENU.

INSTALACIÓN DE LA BATERÍA

El radio GXT600/635/650 opera con 4 baterías alcalinas AA o un paquete opcional de batería de NiMH. El sujetador para cinturón debe de ser removido (ver abajo) para la fácil instalación o remoción de las baterías. Para instalar las baterías:

1. En la parte trasera del radio, remover el sujetador para cinturón (ver el diagrama) para un fácil acceso, entonces remover la tapa de la batería presionando hacia abajo el centro de la tapa y deslizándola hacia abajo.
2. Insertar las 4 baterías AA observando la polaridad. Si se instalan las baterías en forma incorrecta puede dañar la unidad.
3. Colocar la tapa de la batería deslizándola hacia arriba del radio. Instalar el sujetador para cinturón, asegurándose que estén colocados en su lugar.

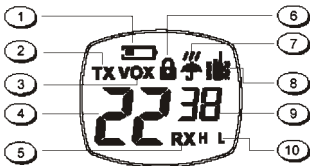


- United States Federal Communications Commission, Code of Federal Regulations; 47 CFR part 2 sub-part J
- American National Standards Institute (ANSI) / Institute of Electrical and Electronic Engineers (IEEE) C95. 1-1992
- Institute of Electrical and Electronic Engineers (IEEE) C95.1-1999 Edition
- National Council on Radiation Protection and Measurements (NCRP) of the United States, Report 86, 1986
- International Commission on Non-Ionizing Radiation Protection (ICNIRP) 1998

Para controlar su exposición y asegurar el cumplimiento con la población en general o los límites de exposición del medio ambiente no controlados, no transmitir más del 50% del tiempo. El radio genera energía de RF solo cuando transmite.

IMPORTANTE: cambios o modificaciones a esta unidad sin la aprobación de MIDLAND RADIO CORP. puede dañar el radio o no operar en forma correcta. El radio esta programado para transmitir una señal regulada en una frecuencia asignada. Es contra la ley alterar o ajustar los niveles dentro del COMUNICADOR para exceder sus límites. Cualquier ajuste a su radio, debe ser realizado por personal calificado.

PANTALLA



- 1. INDICADOR DE BLOQUEO DE TECLADO-** Indica que el modo KEY LOCK esta activado.
- 2. VOX-** Indica cuando el modo VOX esta activo.
- 3. INDICADOR DE LA BANDA NOAA (WX)-** Indica cuando el radio esta en el modo de banda del tiempo.
- 4. NÚMERO DE CANAL-** Cambia de canal 1 al 22 en la banda de GMRS/FRS (1-10 en la banda WX).
- 5. CÓDIGO PRIVADO-** Indica que el usuario ha seleccionado un código privado (oF~38/oF~83)
- 6. INDICADOR DE BATERÍA BAJA-** Indica que el nivel de la batería es bajo.
- 7. INDICADOR DE ALERTA VIBRATORIA-** Indica cuando la característica de alerta vibratoria esta activa.
- 8. INDICADOR DE RECEPCIÓN RX-** Indica que el radio esta recibiendo una transmisión.
- 9. INDICADOR DE TRANSMISIÓN (TX)-** Indica que el radio esta transmitiendo.
- 10. INDICADOR DEL NIVEL DE POTENCIA DE TRANSMISIÓN-** Indica el nivel de la potencia de transmisión TX (H/M/L).
- 11. INDICADOR DE LOS CÓDIGOS PRIVADOS-** Indica los códigos privados seleccionados (CTCSS/DCS)

INSTALANDO EL SUJETADOR PARA CINTURÓN

Para instalar el sujetador para cinturón, deslizar el clip hacia abajo dentro de la ranura en la parte trasera del radio, bajo la lengüeta del sujetador. Para remover el sujetador, presionar el apéndice de seguridad hacia abajo, entonces empuje suavemente el sujetador hacia la parte de arriba del radio.

CARGANDO EL PAQUETE DE BATERÍA OPCIONAL

El GXT600/635/650 esta equipado para usar un paquete de batería opcional recargable de NiMH (no incluido) que puede recargarse usando un cargador de escritorio (no incluido). El tiempo de carga inicial es de 24 horas con un tiempo de carga posterior de 12 horas. Para un tiempo de vida largo de la batería, recomendamos cargar la batería cuando el indicador de batería baja este encendido. Remover los radios del cargador cuando el tiempo de carga expira.

Para cargar usando un Cargador de Escritorio



1. Coloque el paquete de batería recargable en los radios.
2. Conecte el adaptador de CA en el contacto de CA.
3. Inserte el conector del adaptador de CA (o el adaptador para automóvil) en el conector del cargador de escritorio.
4. Coloque las unidades dentro de la ranura del cargador de escritorio y note que el LED rojo se enciende, indicando la función de cargando.

En principio para asegurar que el paquete de batería esta completamente cargado, es recomendable que el paquete de batería sea cargado por al menos 12 horas.



1. Solo utilice nuestro paquete batería NiMH.
2. No intente cargar baterías alcalinas o cualquier tipo de baterías u otros paquetes de baterías que no estén indicados en este manual. Esto puede ser causa de averías y daños al radio.
3. Para un tiempo de almacenamiento largo del radio, apague el radio y remueva las baterías del radio.

INDICADOR DE NIVEL DE BATERÍA

La serie GXT600/635/650 tiene un indicador de batería que muestra el nivel de energía de la batería , entre mayor sea el número de barras, el nivel de la batería es fuerte. Cuando el nivel de la batería es bajo, el indicador BATTERY SHELL  y "Lo bt" aparece en la pantalla indicando que las baterías deben de ser reemplazadas o recargadas si se utiliza un paquete de baterías recargables.

OPERANDO EL RADIO

ENCENDIDO / APAGADO Y VOLUMEN

Girando la perilla POWER/VOLUME en el sentido de las manecillas del reloj para sintonizar el radio en encendido e incrementar el nivel del volumen. Girando la perilla al contrario de las manecillas del reloj para reducir el nivel del volumen y apagar el radio. Durante el encendido, el radio suena 2 veces con diferentes tonos, en la pantalla aparecen todos los indicadores por 1 segundo y la pantalla indica el último canal seleccionado.

TRANSMITIENDO Y RECIBIENDO UNA LLAMADA

Para comunicarse todos los radios en el grupo deben ser ubicados en el mismo canal y en el mismo código.

1. Para una máxima claridad, mantenga el radio de 5 a 7 cm de la boca.
2. Presionar y mantener el botón de PTT y hablar con una voz normal en el micrófono. El icono de TX aparece continuamente en la pantalla LCD mientras esta transmitiendo.
3. Para recibir una llamada, soltar el botón PTT. El icono de RX aparece en la pantalla cuando el radio esta recibiendo una transmisión.

ACERCA DEL ALCANCE

Estos radios están diseñados para alcanzar un gran rango bajo condiciones óptimas.

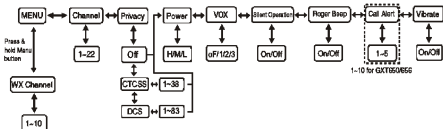
Las condiciones óptimas son:

- Sobre el agua
- Áreas rurales abiertas, sin obstáculos
- Áreas planas donde se pueda ver a la otra persona

Para asegurar la obtención del máximo alcance:

- Asegúrese de usar baterías nuevas o completamente cargadas - las baterías bajas pueden causar condiciones de baja potencia.
- Asegúrese que se está en un canal GMRS - los canales FRS están restringidos por la FCC a trabajar con potencia baja.
- Asegúrese de colocar el radio para utilizar alta potencia

DIAGRAMA DE REFERENCIA DE LA SERIE GXT600/635/650



MONITOR

Presionando y manteniendo el botón MONITOR por un segundo, dejara escuchar un ruido, y se podrá ajustar el nivel del volumen del radio cuando no se esta recibiendo una señal. Esto debe de ser utilizado para verificar la actividad en el canal actual antes de transmitir.

Mantenga presionado el botón MONITOR de nuevo por 1 segundo para salir del modo MONITOR.

BÚSQUEDA

El radio GXT600/635/650 puede buscar los 22 canales para su actividad. Para entrar a este menú, presionar el botón SCAN. Repita el mismo procedimiento para salir. El radio escanea rápidamente cada uno de los 22 canales y se detiene en un canal activo por 4 segundos antes de resumir la búsqueda.

Cuando presiona el botón PTT para transmitir o en un canal activo, la función de SCAN se detiene y se queda en un canal activo. Para resumir la búsqueda, presionar rápidamente el botón ▼/▲.

TONO DE LLAMADA

El radio GXT600/635/650 puede transmitir un tono de llamada a una longitud fija de tiempo. Para enviar un tono de llamada, presionar el botón CALL. El indicador TX aparece mientras se transmite el tono de llamada y el tono puede ser escuchado en la bocina para confirmación.

El GXT600/635 tiene 5 tonos de llamadas para seleccionar, mientras que el GXT650 tiene 10 tonos de llamadas incluyendo 4 sonidos de animales pato, ganso, pavo, búho y alce.

BLOQUEO DEL TECLADO

Para evitar un cambio accidental en las características del radio, presione el botón LOCK por 2 segundos. El indicador KEY LOCK aparece en la pantalla. PTT y CALL pueden estar activos. Repita el mismo procedimiento para desbloquear el teclado.

ILUMINACIÓN DE LA PANTALLA

Durante el encendido, la iluminación de la pantalla se activa 5 segundos aproximadamente. La iluminación de la pantalla también puede ser activada cuando se presionan los botones MENU, MON/SCAN y ▼/▲.

SELECCIÓN DE CANAL (BANDAS GMRS / FRS)

Presionar el botón MENU, y entonces los botones ▼/▲ para seleccionar uno de los 14 canales FRS. Para confirmar la selección, presionar el botón PTT o presionar MENU otra vez para seleccionar la siguiente característica.

CÓDIGOS PRIVADOS

El equipo tiene 121 códigos privados disponibles. El código privado seleccionado debe de ser diferente para cada canal. Para seleccionar un código privado en el

actual canal, presionar el botón MENU dos veces y entonces los botones ▼/▲ para seleccionar entre "Off/CTCSS/DCS". Presione nuevamente MENU y ▼/▲ para seleccionar uno de los 38 códigos CTCSS o uno de los 83 códigos DCS. El indicador PRIVACY CODE indica si se eligió el modo CTCSS o DCS. Para confirmar la selección, presionar PTT o MENU de nuevo para cambiar a la siguiente característica.

! **Nota:** seleccionando un código CTCSS se deshabilita cualquier código DCS pre-seleccionado y viceversa. Para la comunicación entre dos radios GXT600/635/650, todos los radios en el grupo deben de colocarse en el mismo canal y selecciones de código privado.

SELECCIÓN DE LOS NIVELES DE POTENCIA DE TRANSMISIÓN

El radio tiene 3 niveles de potencia. Para seleccionar el nivel de la potencia en los canales 1-7 y 15-22, presione el botón MENU hasta que aparece el indicador "Pr" parpadeando en la pantalla. Entonces presione los botones ▼/▲ para seleccionar el indicador TRANSMIT POWER LEVEL (H: Alta/M: Media/L: Baja). Para confirmar, presione el botón PTT o presione de nuevo el botón MENU para cambiar a la siguiente característica. **Cuando el botón PTT se presiona durante un nivel de batería bajo, la potencia TX automáticamente cambia del nivel alto (H) al nivel bajo (L).**

! **Nota:** no se puede ajustar el nivel de potencia en los canales FRS (8-14). Estos son colocados en baja potencia por las regulaciones de FCC.

MANOS LIBRES VOX

El radio GXT600/635/650 tiene tres niveles VOX (oF/1/2/3). Para seleccionar VOX, presionar MENU hasta que la pantalla muestra VOX parpadeando, mientras a la derecha de CHANNEL NUMBER, aparece el icono oF. Seleccionar 1, 2 o 3 con ▼/▲ y apretar PPT o MENU de nuevo para cambiar a la siguiente característica.

VOX es más sensible en la posición 1 que en la posición 3. Para apagar VOX, presione el botón MENU hasta que la pantalla muestra parpadeando VOX, mientras a la derecha de la pantalla CHANNEL NUMBER, aparece le indicador 1, 2 o 3. Seleccione "oF" presionando ▼/▲ y apretando la tecla PTT, o presionando el botón MENU de nuevo para cambiar a la siguiente característica.

OPERACIÓN SILENCIOSA

El radio GXT600/635/650 tiene el modo de SILENT OPERATION. En este modo, todos los "beeps" y "tonos" son deshabilitados.

Para seleccionar el modo de operación silenciosa, presionar MENU hasta que la pantalla muestre un bP y a la derecha un icono on. Seleccionar on presionando los botones ▼/▲ y presionar PTT o MENU.

Para no seleccionar el modo de operación silenciosa, presionar MENU hasta que la pantalla muestre un bP y a la derecha un icono oF. Seleccionar oF presionando los botones ▼/▲ y presionar PTT o MENU.

TONO DE FIN DE LA TRANSMISIÓN (ROGER BEEP)

Cuando se libera el botón PTT, el radio da un pitido para confirmar a otros usuarios que su transmisión ha terminado.

Para encender el tono del fin de la transmisión (ROGER BEEP), presionar el botón MENU, debajo de la pantalla aparece el indicador “rb”, mientras a la derecha de la pantalla “rb” aparece el indicador “oF”. Seleccionar “on” presionando ▼/▲ apretando la tecla PTT, o presionando el botón MENU de nuevo para cambiar a la siguiente característica.

Para apagar el tono del fin de la transmisión (ROGER BEEP), presionar el botón MENU, debajo de la pantalla aparece el indicador “rb”, mientras a la derecha de la pantalla “rb” aparece el indicador “on”. Seleccionar “oF” presionando ▼/▲ apretando la tecla PTT, o presionando el botón MENU de nuevo para cambiar a la siguiente característica.

SELECCIONAR EL TONO DE LLAMADA

El radio GXT600/635 tiene 5 tonos de llamadas seleccionables (10 para el GXT650). Para seleccionar, presionar el botón MENU mientras aparece el indicador “CA” y a la derecha de “CA” aparece el tono de llamada actual. Entonces presione los botones ▼/▲ para hacer la selección de los tonos de llamada – el radio emite un tono correspondiente para cada selección. Para confirmar, presione el botón PTT o MENU para cambiar a la siguiente característica.

Nota: el GXT650 tiene 5 tonos de llamada adicionales “Sonidos de Animales”- pato, ganso, pavo, búho y alce

ALERTA VIBRATORIA

Para encender la alerta vibratoria, presionar el botón MENU 5 veces hasta que en la pantalla aparezca parpadeando el indicador VIBRATE-ALERT, mientras a la derecha de la pantalla CHANNEL NUMBER, aparece el indicador “oF”. Seleccionar “on” presionando ▼/▲ y apretando la tecla PTT, o presionando el botón MENU de nuevo para cambiar a la siguiente característica. El indicador VIBRATE-ALERT permanece en la pantalla.

Para apagar la alerta vibratoria, presionar el botón MENU 5 veces hasta que en la pantalla aparezca parpadeando el indicador VIBRATE-ALERT, mientras a la derecha de la pantalla CHANNEL NUMBER, aparece el indicador “on”. Seleccionar “oF” presionando ▼/▲ y apretando la tecla PTT, o presionando el botón MENU de nuevo para cambiar a la siguiente característica. El indicador VIBRATE-ALERT desaparece de la pantalla.

BANDA RECEPTORA DEL TIEMPO NOAA (WX)

El radio GXT600/635/650 tiene una función de **BANDA RECEPTORA DEL TIEMPO NOAA**, para permitir que el usuario reciba reporte / alertas de las estaciones designadas NOAA.

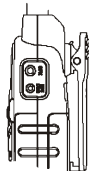
Para encender WEATHER (WX) RECEIVER, presione el botón MENU y manténgalo por 3 segundos. El actual WX CHANNEL y WX BAND aparece en la pantalla. Presione el botón MENU y los botones ▼/▲ para seleccionar uno de 10 canales WX BAND. Para confirmar, presione el botón PTT o MENU.

Para apagar WEATHER (WX) RECEIVER, presione el botón MENU y manténgalo por 3 segundos. La actual característica GMRS/FRS aparece en la pantalla y el indicador WX BAND desaparece.

CONECTOR PARA MICRÓFONO Y BOCINA EXTERNOS

El radio puede ser usado con un micrófono y bocina externos o diadema opcionales, liberando las manos para hacer otras tareas. Para el uso del micrófono y bocina externos o diadema opcionales:

- Inserte el conector en la entrada SPK/MIC
- Coloque la bocina en su oído y ajuste el micrófono en la posición deseada



SOLUCIÓN DE PROBLEMAS

PROBLEMA	SOLUCIÓN
No hay energía	Recargue o reemplace las baterías
No se pueden recibir mensajes	- confirme que los radios el mismo canal y los códigos de privacidad - asegúrese que se encuentre dentro del rango de otros transreceptores - edificios y otras estructuras pueden interferir con la comunicación
El radio no responde cuando se presionan los botones	- asegúrese que la función de bloqueo de teclado no esta activa. Consulte "KEYPAD LOCK" (página 10) - el radio necesita ser reiniciado. Apague y después encienda el equipo. - cerciórese que el micrófono es el apropiado
La pantalla esta oscura	Recargue o reemplace las baterías
El cargador no funciona	- los contactos de la parte trasera del radio requieren ser limpiados - asegúrese que los bornes de carga estén enchufados correctamente - verifique que el paquete de la batería este correctamente instalado en el radio

USO Y CUIDADO

1. Emplee un paño suave y húmedo para limpiar el radio
2. **No use** alcohol o limpiadores de limpieza
3. **No** lo sumerja en el agua
4. Séquelo con un paño suave
5. Apague el radio y quite las baterías durante un largo tiempo de almacenamiento

Si tiene un problema que crea que requiere servicio, por favor llame primero y hable con un técnico. Varios problemas pueden corregirse por medio del teléfono, si necesidad de llevar la unidad al servicio.

ESPECIFICACIONES

Canales 22 canales GMRS/FRS + 121 códigos privados, 10 canales NOAA (WX)

Frecuencia de Operación 462.5500 – 467.7125 MHz

Fuente de Alimentación 4 baterías alcalinas AA o baterías recargables de 6.0 V NiMH

DIAGRAMA DE FRECUENCIAS GMRS/FRS (MHz)

CH. No	CH. Freq.	CH. No	CH. Freq.	CH. No	CH. Freq.
1	462.5625	9	467.5875	17	462.6000
2	462.5875	10	467.6125	18	462.6250
3	462.6125	11	467.6375	19	462.6500
4	462.6375	12	467.6625	20	462.6750
5	462.6625	13	467.6875	21	462.7000
6	462.6875	14	467.7125	22	462.7250
7	462.7125	15	462.5500		
8	467.5625	16	462.5750		

Canales 8 al 14 son de baja potencia

DIAGRAMA DE FRECUENCIAS RECEPTORAS DEL TIEMPO

CH. No	CH. Freq.	CH. No	CH. Freq.
1	162.550	5	162.500
2	162.400	7	162.525
3	162.475	8	161.650
4	162.425	9	161.775
5	162.450	10	163.275

Canal 8, 9 y 10 están designados para frecuencias de la marina canadiense

DIAGRAMA DE FRECUENCIAS DE CÓDIGOS DE PRIVACIDAD CTCSS

1	67.0	9	91.5	17	118.8	25	156.7	33	210.7
2	71.9	10	94.8	18	123.0	26	162.2	34	218.1
3	74.4	11	97.4	19	127.3	27	167.9	35	225.7
4	77.0	12	100.0	20	131.8	28	173.8	36	233.6
5	79.7	13	103.5	21	136.5	29	179.9	37	241.8
6	82.5	14	107.2	22	141.3	30	186.2	38	250.3
7	85.4	15	110.9	23	146.2	31	192.8		
8	88.5	16	114.8	24	151.4	32	203.5		

Nota: los códigos privados pueden ser programados para usar un solo canal

DIAGRAMA DE FRECUENCIAS DE CÓDIGOS DE PRIVACIDAD DCS

No.	CODE	No.	CODE	No.	CODE
1	023	29	174	57	445
2	025	30	205	58	464
3	026	31	223	59	465
4	031	32	226	60	466
5	032	33	243	61	503
6	043	34	244	62	506
7	047	35	245	63	516
8	051	36	251	64	532
9	054	37	261	65	546
10	065	38	263	66	565
11	071	39	265	67	606
12	072	40	271	68	612
13	073	41	306	69	624
14	074	42	311	70	627
15	114	43	315	71	631
16	115	44	331	72	632
17	116	45	343	73	654
18	125	46	346	74	662
19	131	47	351	75	664
20	132	48	364	76	703
21	134	49	365	77	712
22	143	50	371	78	723
23	152	51	411	79	731
24	155	52	412	80	732
25	156	53	413	81	734
26	162	54	423	82	743
27	165	55	431	83	754
28	172	56	432	-	-

Nota: los códigos privados pueden ser programados para usar un solo canal

GARANTÍA LIMITADA

Midland Radio Corporation puede reparar o reemplazar, sin cargo adicional, cualquier transceptor Midland FRS/GMRS que falle debido a defectos en los materiales o mano de obra, dentro de los 3 años siguientes de la compra. Esta garantía no aplica para daños por agua, por derrame de la batería o abuso.

Esta garantía no incluye en cualquier caso, audífonos, o antenas, que puedan ser parte de o incluidas con la garantía del producto, o el costo de la labor de remover o reinstalar el producto en un vehículo u otro lugar.

El cumplimiento de cualquier obligación bajo esta garantía puede ser obtenido, regresando la garantía del producto, flete prepagado, junto con el comprobante de compra ha:

**Midland Radio Corporation
Warranty Service Department
5900 Parretta Drive
Kansas City MO 64120**

La garantía sus reglas legales específicas, y puede tener también otras reglas, que varían de estado a estado.

Nota: La garantía solo aplica a la mercancía adquirida en los Estados Unidos de América o cualquier territorio o intercambio del ejército de Estados Unidos.

**Midland Radio Corporation
5900 Parretta Drive
Kansas City MO 64120**

**Tel. (816) 241-8500
Correo electrónico: mail@midlandradio.com
Página de Internet: www.midlandradio.com**



ACCESORIOS

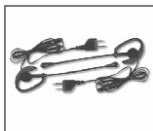
Se pueden comprar los accesorios en www.midlandradio.com o llenar el formato de la siguiente página y enviarla por correo a nuestra dirección.

AVP-4



- 1 cargador de escritorio doble
- 2 paquetes de baterías recargables
- 1 adaptador de CA
- 1 adaptador para automóvil

AVP-1



- 2 diademas con botón PTT (Presione para Hablar)

AVP-H1



- 1 Casco abierto con micrófono

AVP-H2



- 1 Casco cerrado con micrófono

AVP-H3



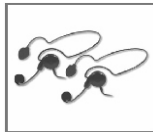
- 2 Diademas de vigilancia

AVP-H4



- 2 Diademas envolventes de oído

AVP-H5



- 2 Diademas para debajo de la cabeza

Modelos GXT600/635/650



FORMATO PARA ORDENAR ACCESORIOS

Enviar un giro postal o introduzca la información de su tarjeta Visa / MasterCard y envíela a la dirección que se muestra abajo. Por favor no envíe dinero en efectivo o cheques. Haga el giro postal a nombre de Midland Radio Corporation.

Nombre: _____

Dirección: _____

Ciudad: _____ Estado: _____ Código Postal: _____

Teléfono: _____ Correo Electrónico: _____

CC#: _____ Tipo _____ Exp. _____

Cantidad	Modelo	Precio	Total

Midland Radio Corporation
Departamento de Atención a
Clientes
1120 Clay St.
N. Kansas City MO 64116

Sub-Total _____

Impuesto _____

Total _____

o llame al 816.241.8500

para comprar en línea ir a:
www.midlandradio.com

MIDLAND RADIO CORPORATION
5900 Parretta Drive
Kansas City MO 64120
Tel. 816.241.8500

Visítenos en <http://www.midlandradio.com>

Nota: las características y especificaciones pueden ser sujetas a cambio sin previo aviso. Midland no es responsable de errores no intencionales u omisiones en este paquete